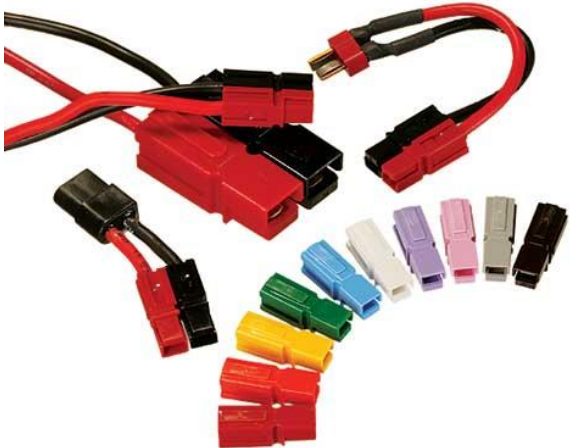


All About Anderson Connectors



What are Anderson Connectors?

- Commonly available polarized connector for power supply and other connections.
- Available in multiple colors
- Available in multiple current capacities (15,30 and 45 amp ratings (same connector housing, different contact pins)
- Crimp on or Solder on
- Larger versions available for 60 or more amps.

Advantages of Anderson Connectors

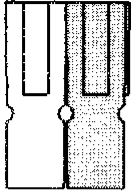
- Easy connect and disconnect equipment.
- Standardization for ARES deployment kits/go bags.
- Standard for other field events like Field Day
- A properly assembled they can not be reverse connected.

Advantages

- **The plastic housing is available in multiple colors- Red Black, Green , Blue, yellow a and orange (for DC power it is recommended that you use only red and black).**
- **When assembled properly it is not possible to connect two devices with improper polarity.**
- **Connector pins available for 15A, 30A and 45A.**



Instruction Sheet From Connector Package



Red Black

INSTRUCTIONS:

Solder or crimp wire into contact. Push contact wire attached into rear of housing. Keep pushing until contact lip goes over the spring blade. You should hear a "click" when this occurs.

DC Power, LLC

665 SW 167th Ave.
Beaverton, OR 97006
503-531-4081

sales@dcpwr.com

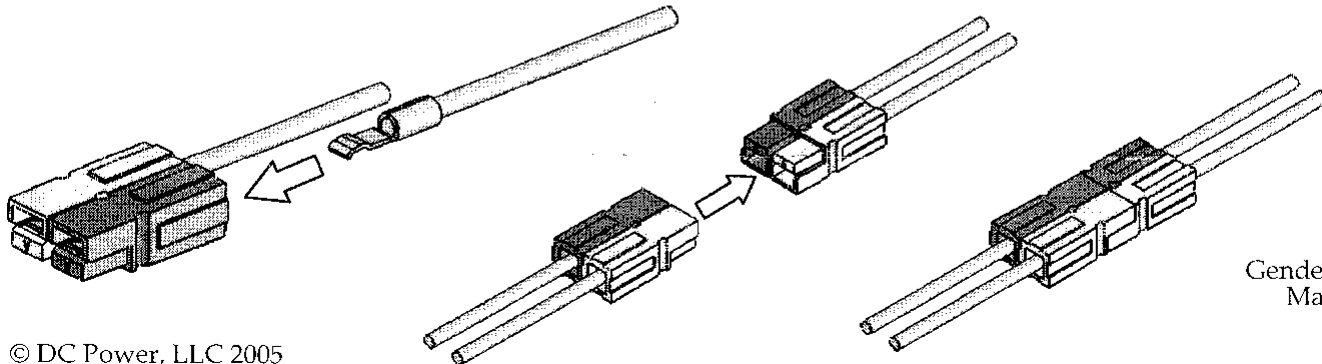
www.dcpwr.com



Spring Blade



Solder or crimp wire into contact.



Genderless
Mating!

Assembling the connector

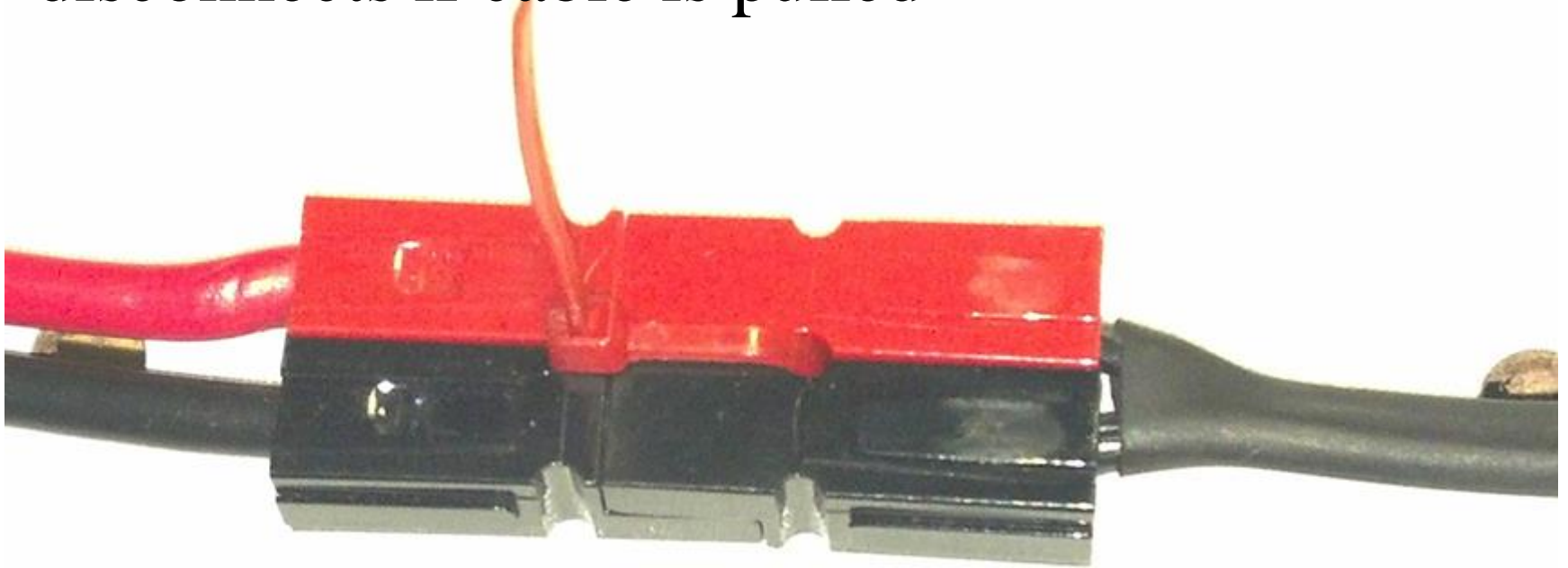
CORRECT!

The contacts are in proper alignment and ready to push in. Listen for a click on each one to make sure they are fully inserted.

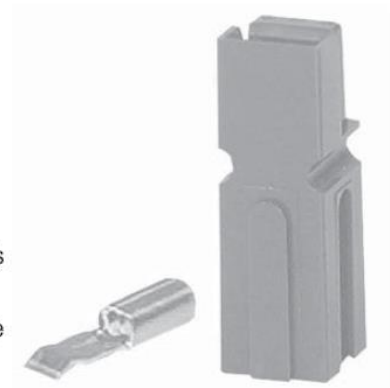
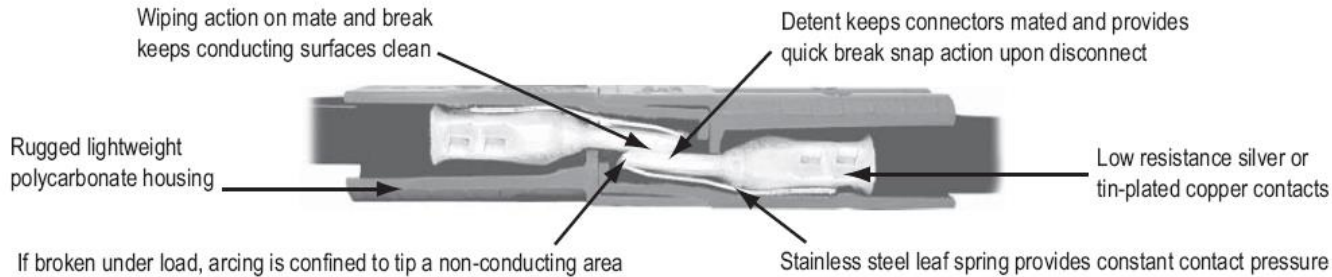


Preventing Connector Disconnect

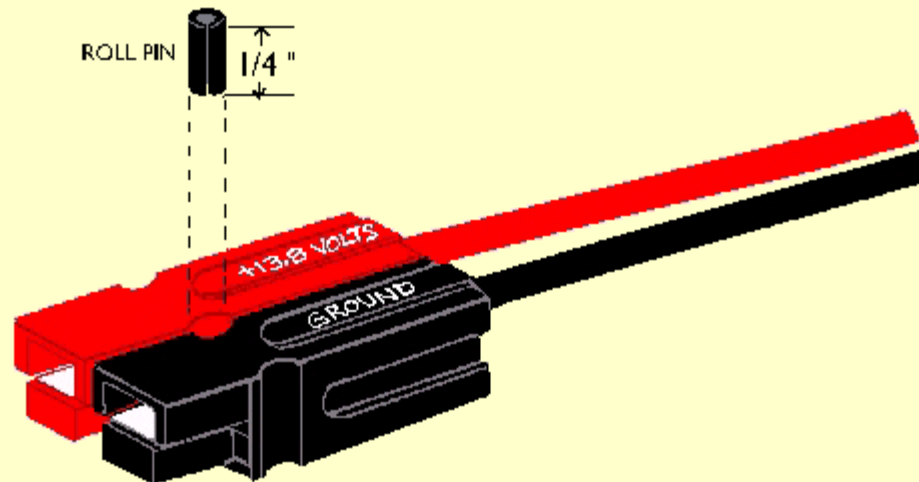
Use a nylon tie wrap to prevent accidental disconnects if cable is pulled



Anderson Power pole Connectors

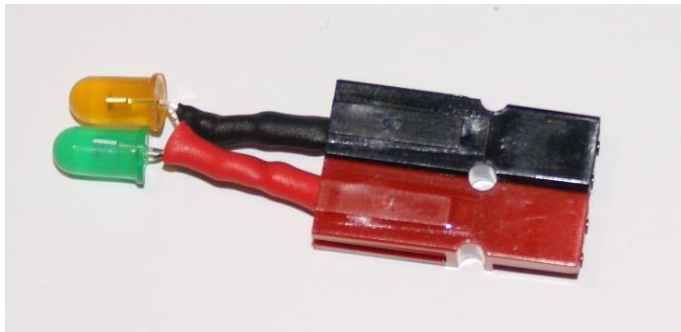
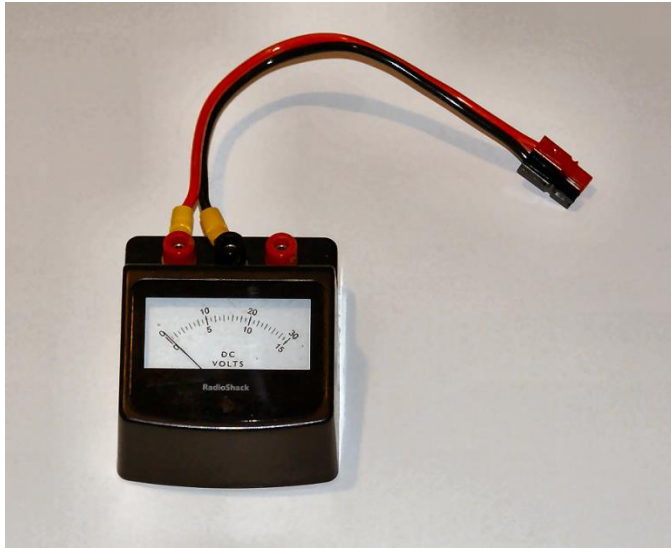


For the vast majority this is the suggested correct configuration:



"Housings should be mated according to the diagram above, viewing from the contact side (opposite the wire side), tongue down, hood up, RED on the LEFT, BLACK on the RIGHT. Also notice the 3/32-inch-diameter roll pin, 1/4 inch long, is used to keep the housings from sliding apart."

Some Applications and the Crimping Tool



Sources for connectors

- Allied Electronics <http://www.alliedelec.com/>
- DC Power LLC www.dcpwr.com Anderson Power Pole
- Jameco Electronics <http://www.jameco.com/>
- Ham Radio Outlet <http://www.hamradio.com/>
- Newark Electronics <http://www.newark.com/>
- Power-werx <http://www.powerwerx.com/> Anderson Power Pole
- Radio Shack www.raddioshack.com

